

## SQL 15 EXTREME

### Speaker Specifications

Power	Pe	<b>1400/2100</b>	RMS/Nom
DC resistance	Rdc	<b>1,9</b>	$\Omega$
Nominal impedance	ZN	<b>2</b>	$\Omega$
Resonance frequency	fs	<b>35</b>	HZ
Voice coil diameter		<b>4</b>	inch
Xmax	+ -	<b>15</b>	mm

Mechanical Q factor	Qms	<b>2,79</b>
Electrical Q factor	Qes	<b>0,63</b>
Total Q factor	Qts	<b>0,51</b>

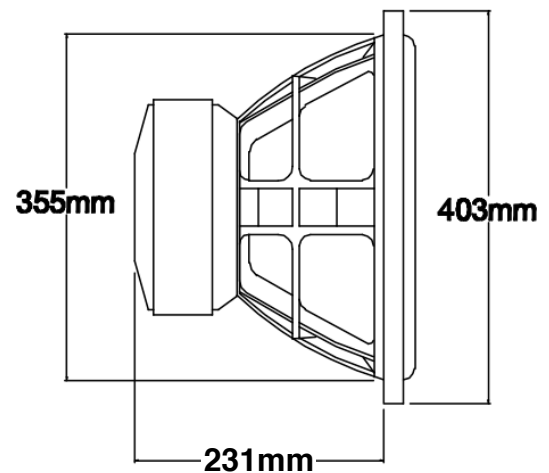
Moving mass	Mms	<b>289</b>	g
Effective piston area	Sd	<b>830</b>	cm <sup>2</sup>
Mechanical resistance	Rms	<b>24,5</b>	Kg/s
Compliance	Cms	<b>0,06</b>	mm/N
Force factor	BL	<b>14,4</b>	Tm
Equivalent air volume	Vas	<b>68,3</b>	dm <sup>3</sup>
SPL 2,83V/1m		<b>94,6</b>	dB

Cone: Paper	Spider: Nomex
Surround: Rubber	Coil former: Aluminium
Basket: Aluminium	Dust cap: PP



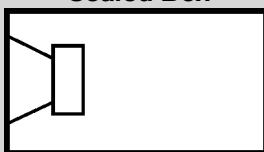
### Diameter

External diameter	<b>403 mm / 15,87 inch</b>
Installation diameter	<b>355 mm / 13,98 inch</b>
Installation depth	<b>231 mm / 9.09 inch</b>
Magnet diameter	<b>230 mm / 9,06 inch</b>



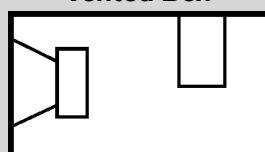
### Recommended Boxes (including Ports / Drivers)

#### Sealed Box



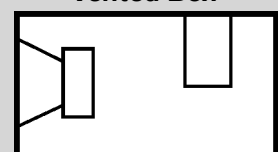
V: **60 l**

#### Vented Box



V: 95 l  
 ft: 39 Hz (42 Hz)  
 d: 2x 100 mm / 3,94 inch  
 l: 250 mm / 9.84 inch  
 (200 mm / 7,88 inch)

#### Vented Box



V: 130 l  
 ft: 41 Hz (44 Hz)  
 d: 4x 100 mm / 3,94 inch  
 l: 280 mm / 11.02 inch  
 (220 mm / 8,66 inch)